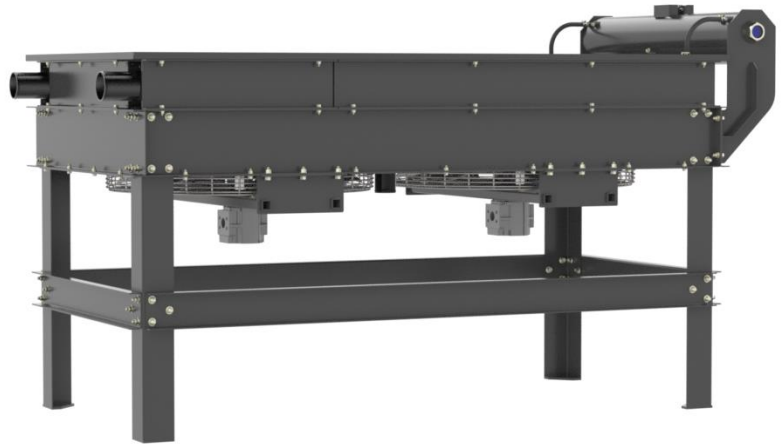




Advanced Cooling Solutions

REMOTE RADIATOR COOLING

Advanced Cooling Solutions (ACS) offers custom-built remote radiator cooling solutions for the Electric Power Generation market. ACS can design and build both horizontal and vertical remote radiators that cool applications ranging from 500 kW to 3.5 MW. ACS remote cooling systems are extremely reliable and designed to be maintenance free utilizing only direct drive systems without belts or pulleys. ACS has your engineered solution available today for a series of Caterpillar C13[®] through Caterpillar 3516[®] engines to accompany and complement our line of Remote Charge Air Coolers. We can provide remote cooling for all engine types within our product size range. All ACS products are backed by a full warranty.



Technical Features

- Stand-by, peak shaving and prime power applications
- Horizontal and vertical discharge designs
- Heat exchanger design options include both copper-brass and aluminum
- Single & multi-fan configurations
- Engineered steel frames and bases
- Steel core guards and OSHA compliant fan guards
- Custom surge tanks with site glass and low-level sensor ports
- Direct drive fan designs
- Variable speed with motor starter and soft-start options available
- Standard black coatings on all steel components
- Technical specifications available upon request